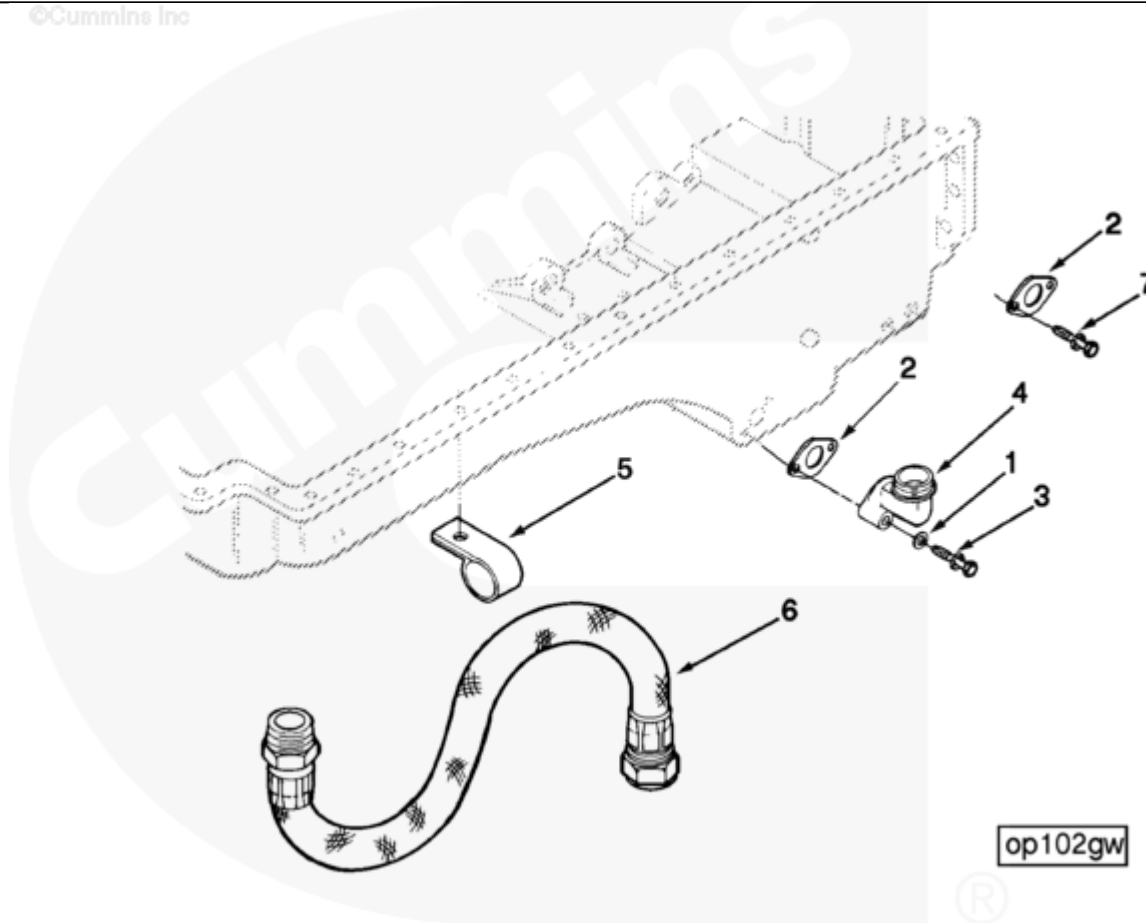




Parts Catalog - Option Detail

Electronic Parts Catalog - Option Detail				
Option	Group	Graphic	Film Card	Date
OP1737	07.01.1	op102gw	F	15-DEC-91
Engines	NH/NT 855, NT495, NT743, NTA855 N106			

©Cummins Inc



[SMALL](#) | [MEDIUM](#) | [LARGE](#)

Cart	Ref No	Part Number	Part Description	Required	Remarks
View My Cart					
		OP1737	Suction Arrangement		
					Suction Arrangement
					Oil pan to pump suction
					arrangement. For use with Big
					Cam I deep rear sump oil pan

					and conventional pump
					location. Use pressure sensed
					Big Cam III lub pump with
					1 1/4 NPTF suction inlet.
					Uses marinised no. 20 hose.
<input type="checkbox"/>	1	S 602	Plain Washer	2	3/8 in.
<input type="checkbox"/>	2	157551	Oil Suction Connection Gasket	2	
<input type="checkbox"/>	3	3012478	Captive Washer Cap Screw	2	3/8 - 16 X 3 1/2 in.
<input type="checkbox"/>	4	3013980	Oil Suction Connection	1	
<input type="checkbox"/>	5	3016478	Clip	1	
<input type="checkbox"/>	6	3253272	Flexible Hose	1	
<input type="checkbox"/>	7	3011715	Captive Washer Cap Screw	2	3/8 - 16 X 1 3/16 in.

© 2019 Cummins Inc., Box 3005, Columbus, IN 47202-3005 U.S.A.
Terms of Use and Disclaimers | Recommended System Requirements
Need Assistance? Please click on the Contact Us button in the top right corner of any page.